

1 2 3 4 5 6 7 8

A

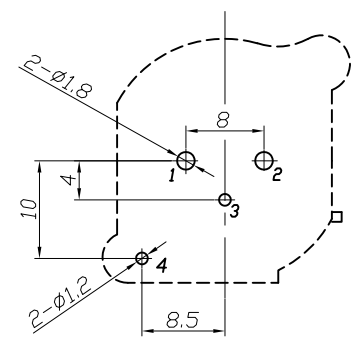
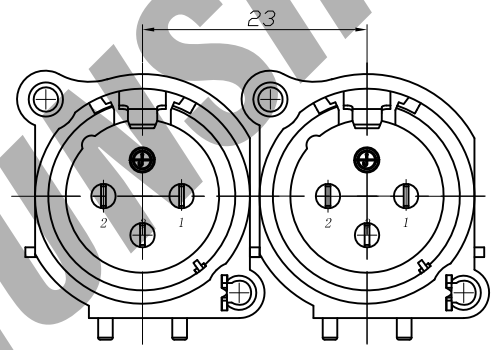
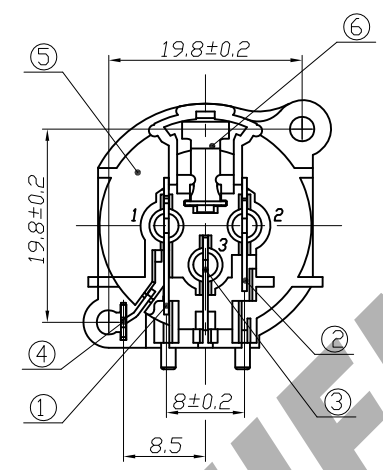
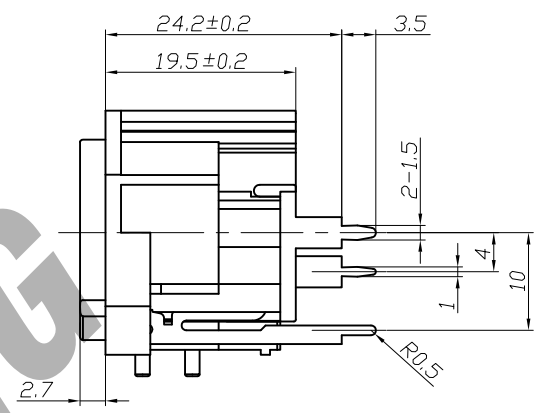
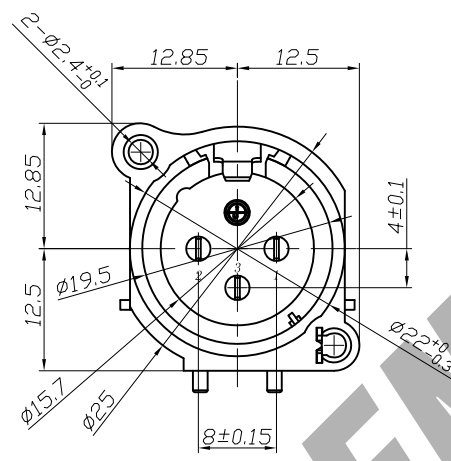
B

C

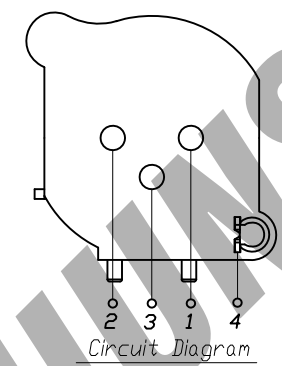
D

E

F



P.C.B. LAYOUT (Tolerance:±0.1)
(BOTTOM VIEW)



Circuit Diagram

⑥	RING SPRING	1	STAINLESS STEEL t=0.4		RoHS COMPLIANT
⑤	HOUSING	1	PA66 G30 BLACK		RoHS COMPLIANT
④	EARTH TERMINAL	1	QSn6.5-0.1 Y t=0.5 (C5210)	NiSn	RoHS COMPLIANT
③	3# TERMINAL	1	QSn6.5-0.1 Y t=0.5 (C5210)	Au	RoHS COMPLIANT
②	2# TERMINAL	1	QSn6.5-0.1 Y t=0.5 (C5210)	Au	RoHS COMPLIANT
①	1# TERMINAL	1	QSn6.5-0.1 Y t=0.5 (C5210)	Au	RoHS COMPLIANT
NO.	PART NAME	Q'TY	MATERIAL	FINISH	REMARK

DSND	DATE	SCALE: N/A	MODEL TYPE: XLR CONNECTOR
DWN	DATE	VIEW:	PART NO.: CT3-04HFA-EP
CHKD	DATE	UNIT: mm	DWG NO.: Q/CS.QW-001A-CT3-04HFA-EP
APPD	DATE	SIZE: A4	

MARK	DESCRIPTION	DATE	REVISED	APPROVED	ANGULAR	±5°
△ X					L ≤ 4	±0.2
△ X					4 < L ≤ 16	±0.3
△ X					16 < L ≤ 63	±0.4
					63 < L	±0.5

REVISIONS
UNSPECIFIED TOLERANCES

CHUNSHENG ELECTRONICS CO.,LTD.

WEIGHT	SHEET	REVISION
	1/1	A0

THIS DOCUMENT IS THE PROPERTY OF CHUNSHENG ELECTRONICS CO.,LTD.,NO PART THEREOF MAY BE REPRODUCED AND USED WITHOUT THE PRIOR WRITTEN CONSENT OF THE OWNER

1 2 3 4 5 6 7 8