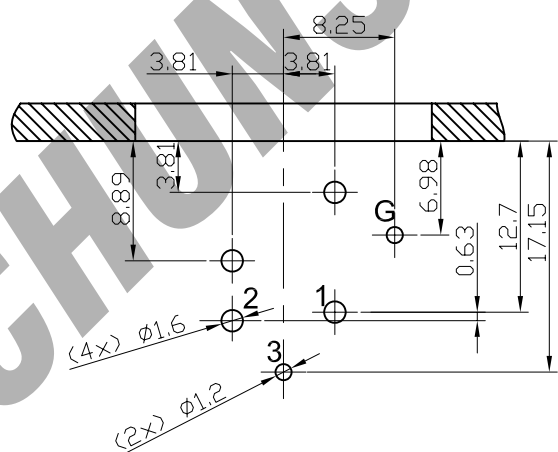
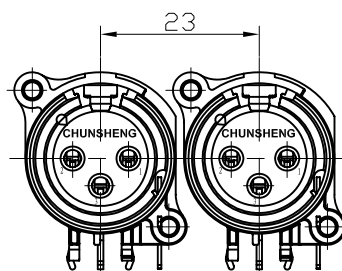


CHASSIS MOUNTING HOLES



PCB MOUNTING HOLES
(VIEWED FROM COPPER SIDE)



Dimensions unless otherwise specified

Size Range	Tolerance
$L \leq 1$	± 0.15
$1 < L \leq 8$	± 0.20
$8 < L \leq 23$	± 0.25
$23 < L \leq 50$	± 0.30
ANGAL	$\pm 1^\circ$

NO.	PART NAME	Q'TY	MATERIAL (THICK, COLOR)	REMARK
6	RING SPRING	1	65Mn t=0.4	CuSn-PLANTED RoHS COMPLIANT
5	BODY	1	PA66 G20 BLACK	RoHS COMPLIANT
4	EARTH-TERMINAL	1	QSn6.5-0.1Y t=0.5 (C5191R-H)	CuSn-PLANTED RoHS COMPLIANT
3	3#-TERMINAL	1	QSn6.5-0.1Y t=0.5 (C5191R-H)	Au-PLATED RoHS COMPLIANT
2	2#-TERMINAL	1	QSn6.5-0.1Y t=0.5 (C5191R-H)	
1	1#-TERMINAL	1	QSn6.5-0.1Y t=0.5 (C5191R-H)	

DATE	SCALE:	NAME:
DWN	2:1	XLR CONNECTOR
DSND	VIEW:	CAT.NO.
CHKD		CT3-12FB-EP
APVD	UNIT: mm	Q/CS.QW-001A-CT3-12FB-EP
ZHEJIANG CHUNSHENG ELECTRONICS CO.,LTD		

旧底图总号

底图总号

日期 签名