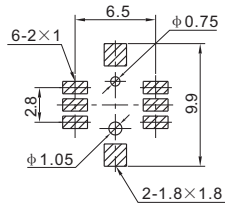
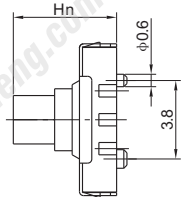
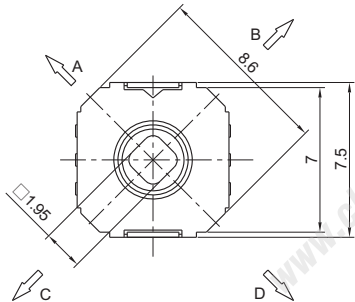
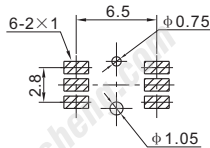




**KFC-007S-F1.95Hn**



P.C.B LAYOUT (TOP VIEW)



P.C.B LAYOUT (TOP VIEW)

