

1 2 3 4 5 6 7 8

A A

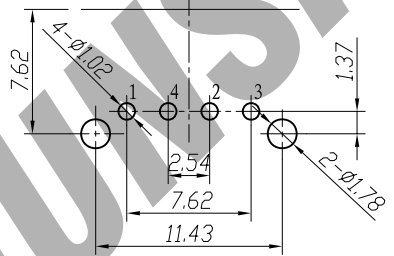
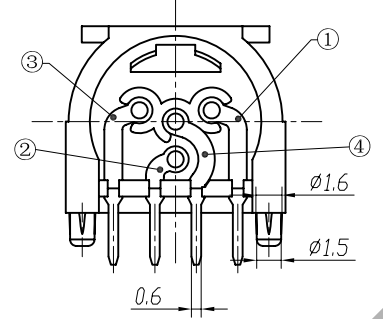
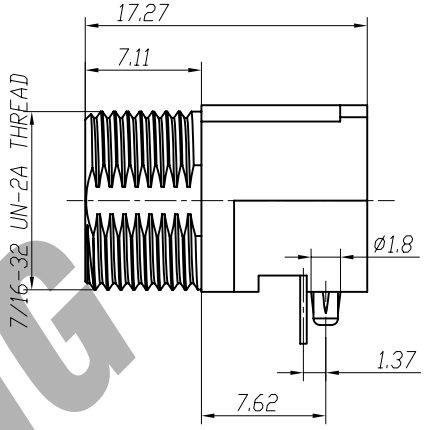
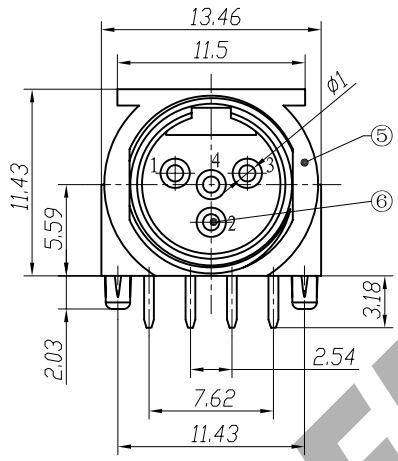
B B

C C

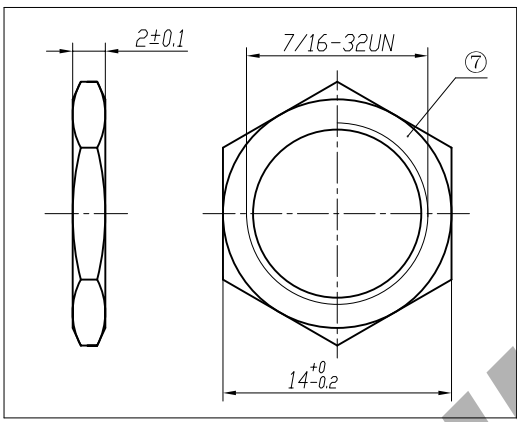
D D

E E

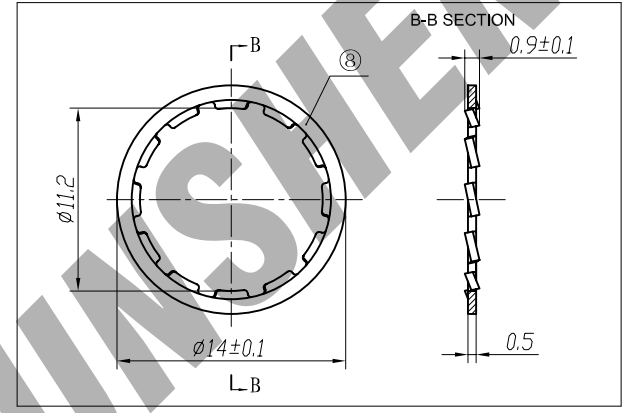
F F



P.C.B. LAYOUT(Tolerance:± 0.05)
(VIEWED FROM COPPER SIDE)



SUITED NUT



SUITED WASHER

⑧	WASHER	1	BRASS (H62 Y t=0.5)	Ni-PLATED	RoHS COMPLIANT
⑦	NUT	1	BRASS (H59)	Ni-PLATED	RoHS COMPLIANT
⑥	PIN	4	BRASS (H59)	CuSn-PLATED	RoHS COMPLIANT
⑤	HOUSING	1	LCP BLACK		RoHS COMPLIANT
④	4# TERMINAL	1	BRASS (H62 Y) t=0.3	CuSn-PLATED	RoHS COMPLIANT
③	3# TERMINAL	1	BRASS (H62 Y) t=0.3	CuSn-PLATED	RoHS COMPLIANT
②	2# TERMINAL	1	BRASS (H62 Y) t=0.3	CuSn-PLATED	RoHS COMPLIANT
①	1# TERMINAL	1	BRASS (H62 Y) t=0.3	CuSn-PLATED	RoHS COMPLIANT
NO.	PART NAME	QTY	MATERIAL	FINISH	REMARK

△ X					ANGULAR	±5°
△ X					L ≤ 4	±0.2
△ X					4 < L ≤ 16	±0.3
MARK	DESCRIPTION	DATE	REVISED	APPROVED	16 < L ≤ 63	±0.4
					63 < L	±0.5

DSND	DATE	SCALE: N/A
DWN	DATE	VIEW:
CHKD	DATE	UNIT: mm
APPD	DATE	SIZE: A4

MODEL TYPE:	MINI XLR CONNECTOR
PART NO.:	MCT4-02M-EP
DWG NO.:	Q/CS.QW-001A-MCT4-02M-EP

UNSPECIFIED TOLERANCES
THIS DOCUMENT IS THE PROPERTY OF CHUNSHENG ELECTRONICS CO.,LTD..NO PART THEREOF MAY BE REPRODUCED AND USED WITHOUT THE PRIOR WRITTEN CONSENT OF THE OWNER

CHUNSHENG ELECTRONICS CO.,LTD.

WEIGHT	SHEET	REVISION
3.35g	1/1	A0

1 2 3 4 5 6 7 8