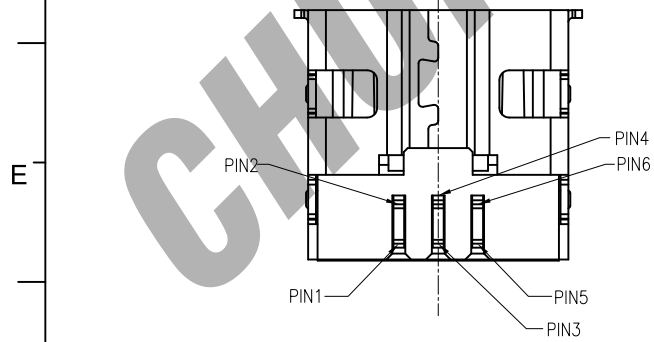


RECOMMENDED PCB LAYOUT  
 DEFAULT TOLERANCE: ±0.05  
 (FROM COMPONENT SIDE VIEW)



4	S-CONTACT	3	BRASS JIS C2680R-EH;T=0.20	NICKEL UNDER PLATING OVER ALL GOLD FLASH PLATING AT CONTACT AND SOLDER TAIL AREA.	SONY GP PASS
3	L-CONTACT	3	BRASS JIS C2680R-EH;T=0.20	NICKEL UNDER PLATING OVER ALL GOLD FLASH PLATING AT CONTACT AND SOLDER TAIL AREA.	SONY GP PASS
2	SHELL	1	PH/BR JIS C5210R-H T=0.40	NICKEL UNDER PLATING OVER ALL GOLD FLASH PLATING OVER NICKEL.	SONY GP PASS
1	HOUSING	1	LOW-TEMP.THERMOPLASTIC PBT UL 94V-0	MOLDED COLOR:BLACK.	SONY GP PASS
NO.	PART NAME	Q'TY	MATERIAL	FINISH	REMARK

					ANGULAR	±5°
△ X					L ≤ 4	±0.2
△ X					4 < L ≤ 16	±0.3
△ X					16 < L ≤ 63	±0.4
MARK	DESCRIPTION	DATE	REVISED	APPROVED	63 < L	±0.5
REVISIONS					UNSPECIFIED TOLERANCES	
THIS DOCUMENT IS THE PROPERTY OF CHUNSHENG ELECTRONICS CO.,LTD.,NO PART THEREOF MAY BE REPRODUCED AND USED WITHOUT THE PRIOR WRITTEN CONSENT OF THE OWNER						

DSND		DATE	SCALE: N/A	MODEL TYPE:
DWN		DATE	VIEW:	6 PIN DATA CONNECTOR
CHKD		DATE	UNIT: mm	PART NO.:
APPD		DATE	SIZE: A4	NW-F-601G-EP
				DWG NO.:
				Q/CS.QW-001A-NW-F-601G-EP
		WEIGHT	SHEET	REVISION
		N/A	1/1	A0

CHUNSHENG ELECTRONICS CO.,LTD.