

1 2 3 4 5 6 7 8

A

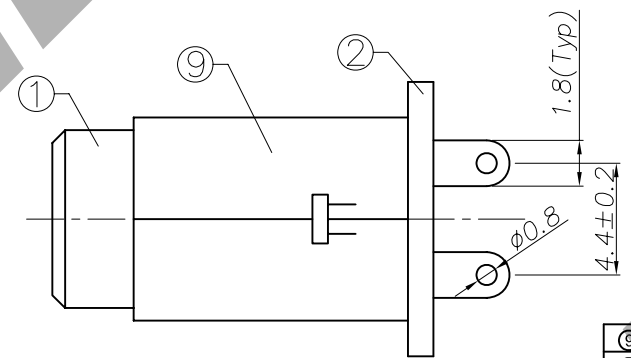
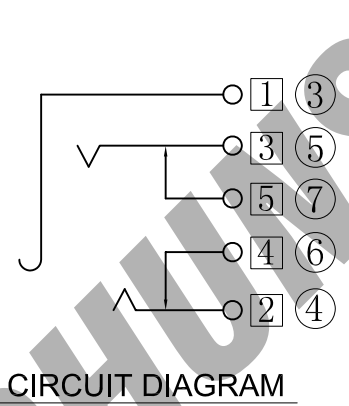
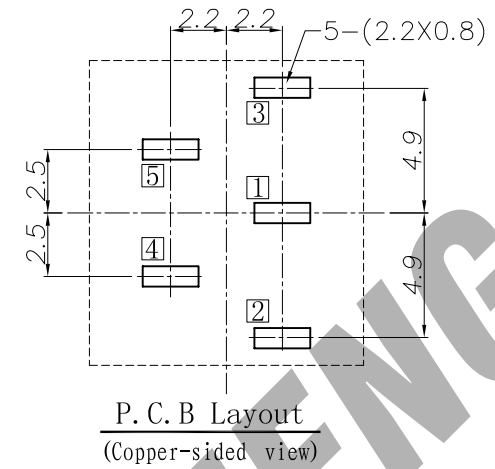
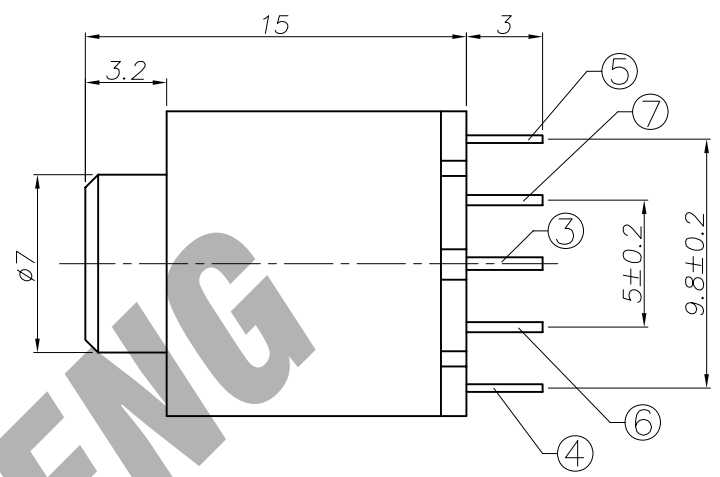
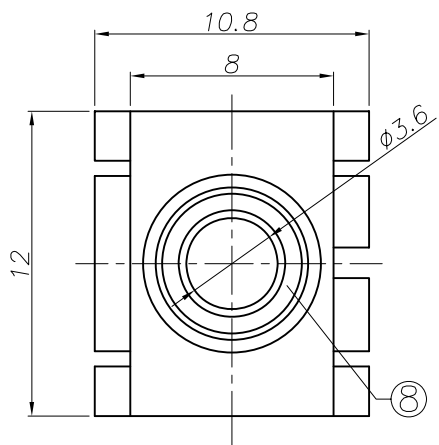
B

C

D

E

F



⑨	外壳	1	黄铜 t=0.2	Ni-PLATED	RoHS COMPLIANT
⑧	铜套	1	黄铜		
⑦	5#端子	1	黄铜 t=0.4	Ag-PLATED	
⑥	4#端子	1	黄铜 t=0.4		
⑤	3#端子	1	磷铜 t=0.25		
④	2#端子	1	磷铜 t=0.25		
③	拉地脚	1	磷铜 t=0.5		
②	盖子	1	PBT,UL94 V-0 BLACK		
①	基座	1	PBT,UL94 V-0 GREEN		
NO.	PART NAME	Q'TY	MATERIAL	FINISH	REMARK

DSND	D.X.HE	DATE	08.08.16	SCALE: N/A	MODEL TYPE:
DWN	D.X.HE	DATE	08.08.16	VIEW:	EARPHONE JACK
CHKD	Y.L.JI	DATE	08.08.16	UNIT: mm	PART NO.:
APPD	Y.H.LONG	DATE	08.08.16	SIZE: A4	PJ-364HAGN-EP
				DWG NO.:	Q/CS.QW-001A-PJ-364HAGN-EP

MARK	DESCRIPTION	DATE	REVISED	APPROVED	UNSPECIFIED TOLERANCES
△ X					ANGULAR ±5°
△ X					L ≤ 4 ±0.2
△ X					4 < L ≤ 16 ±0.3
					16 < L ≤ 63 ±0.4
					63 < L ±0.5

THIS DOCUMENT IS THE PROPERTY OF CHUNSHENG ELECTRONICS CO.,LTD.,NO PART THEREOF MAY BE REPRODUCED AND USED WITHOUT THE PRIOR WRITTEN CONSENT OF THE OWNER

CHUNSHENG ELECTRONICS CO.,LTD.			WEIGHT	SHEET	REVISION
			N/A	1/1	A0

1 2 3 4 5 6 7 8