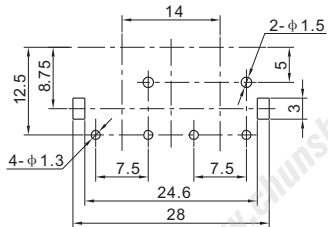
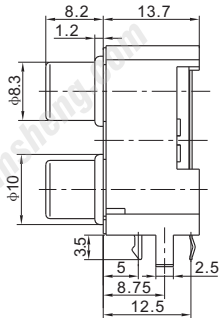
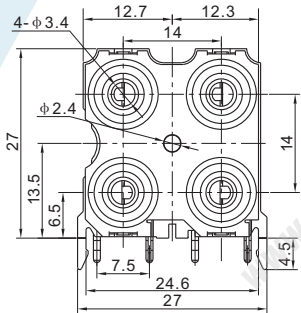




RCA-426A



P.C.B LAYOUT
(VIEWED FROM COPPER SIDE)

