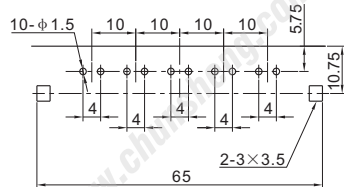
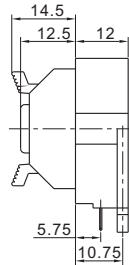
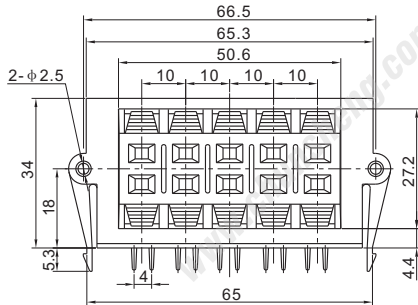




**WP10-11**



**P.C.B. LAYOUT  
(VIEWED FROM COPPER SIDE)**